

MATERIAL SPECIFICATIONS:
 Housing: PA, UL-94V-0 rated, color black
 Contacts: CuZn, Silver plated

MECHANICAL SPECIFICATIONS:
 Contacts: 8 (4 Signal + 3 Power + PE)
 Durability: 1000 mating cycles min.
 Cable Diameter: 6 - 13mm / 9 - 17mm

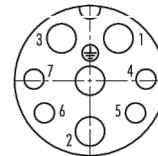
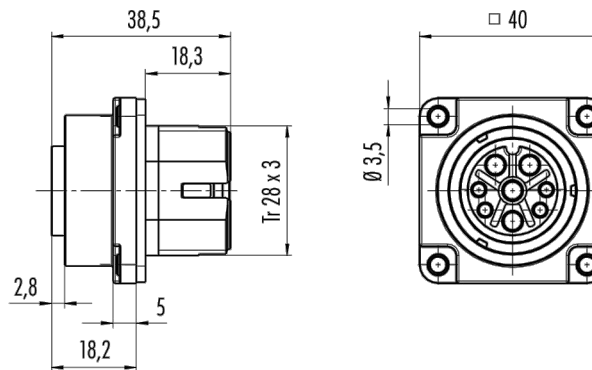
ELECTRICAL SPECIFICATIONS:
 Rated current: 3A Signal max. / 25A Power max.
 Rated voltage: 60V Signal / 400V Power
 Contact resistance: 8mohms max.
 Rated impulse voltage: 5000V

IEC/UL 61010-1 SPECIFICATIONS:
 Material group: I, II
 Overload category: III
 Pollution degree: III

APPROVALS: 

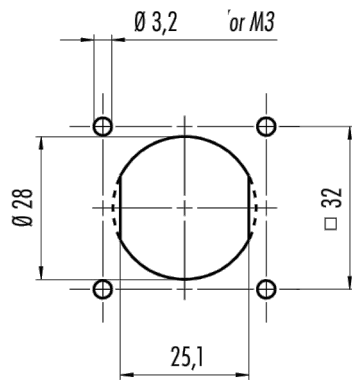
ENVIRONMENTAL SPECIFICATIONS:
 Degree of Protection: IP68 / IPX9K
 Operating Temperature: -40°C ~ +85°C

RoHS
COMPLIANT



POWER CONTACTS:
1, 2, 3
SIGNAL CONTACTS:
4, 5, 6, 7

CONTACT ARRANGEMENT
(MATING SIDE)



PANEL CUTOUT

NOTE:
 1. CONTACTS ORDERED SEPARATELY

FEMALE POWER CRIMP CONTACTS:

AWG	P/N
14	PD-HEC-FPC-14
16	PD-HEC-FPC-16

FEMALE SIGNAL CRIMP CONTACTS:

AWG	P/N
16	PD-HEC-FSC-16
18	PD-HEC-FSC-18
20	PD-HEC-FSC-20
26-22	PD-HEC-FSC-26

ACCESSORIES:

CRIMP TOOL FOR CONTACTS:
 P/N: PD-HEC-CT

SIGNAL CONTACT EXTRACTION TOOL:
 P/N: PD-HEC-SCET

POWER CONTACT EXTRACTION TOOL:
 P/N: PD-HEC-PCET

PROTECTION CAP:
 P/N: PD-HEC-FPC-CAP

TOLERANCE UNLESS OTHERWISE SPECIFIED	
X	± 1
X.X	± 0.4
X.XX	± 0.13

DRAWN BY: PB	DATE: 7/28/14
CHECK BY:	DATE:
APPR BY:	DATE:

Power Dynamics, Inc.
 Phone: 973 560-0019 Whippany, New Jersey Fax: 973 560-0076

PART: HARSH ENVIRONMENT CONNECTOR
 FEMALE PANEL MOUNT

PD-HEC-FPC

SIZE: A
 SCALE: NTS

ALL DIMENSIONS FOR REFERENCE ONLY
 DIMENSIONS ARE IN MILLIMETERS

SHEET 1 of 1
 REV:

REVISIONS	CHANGE	CHK	CHK	APPR
REV	DATE			